

groov SERIAL MODULES DATA SHEET

Features

- > Module cover with LED indicates module status
- > Touch-sensitive pad triggers display of module information on *groov* EPIC® processor's display
- > 2 or 4 independent isolated channels (ports)
- > Selectable operations for GRV-CSERI-4: RS-232 or RS-485

DESCRIPTION

groov I/O modules are part of the *groov* EPIC® (Edge Programmable Industrial Controller) system. Wired directly to field devices (sensors and actuators), *groov* I/O translates the electrical signals from those devices into the digital language computers understand—so you can monitor and control devices and use their data wherever you need it, in your local computer network or in cloud services.

The **GRV-CSERI-4** serial module provides 4 independent, isolated serial channels (ports) allowing the GRV-EPIC-PR1 to communicate with RS-232 or RS-485 serial devices. You can set up the module to communicate with RS-485 serial devices in half-duplex (2-wire transmission) or full-duplex (4-wire transmission) mode. Each channel is selectable between RS-232 mode and RS-485 mode, with configurable termination and bias in RS-485 mode. Channel 0 can also be configured to handle modem commands. Baud rates of up to 1 Mbps are supported. Please note that GRV-CSERI-4 modules may only be installed in chassis slots 0-3, for a maximum of 4 modules (16 channels) per chassis.

The **GRV-CCANI-2** serial module provides 2 independent, isolated serial channels (ports) allowing the GRV-EPIC-PR1 to communicate through a Controller Area Network (CAN).

Wiring is simplified with a top-mounted connector, which provides spring-clamp terminals for easy connection to all types of CAN, RS-232, and RS-485 devices. The connector is held in place by a single, captive retention screw but can be removed with the field wiring intact for wiring in advance or easier module field replacement.

A swinging, two-position cover protects wiring from inadvertent contact, as does the dead-front design. The two positions of the cover offer the option of more space to accommodate larger wire. The module cover provides a touch-sensitive pad; touch the pad and the *groov* EPIC processor displays information about the module, including specifications and a wiring diagram.

The module pivots into place and is held securely in place by a captive retention screw.



GRV-CSERI-4 serial module



GRV-CCANI-2 serial module

groov I/O modules are hot swappable (which means they can be installed or removed without turning off the unit or stopping the process) and self-identifying—as soon as you mount the module to the chassis, it communicates to the processor and identifies itself.

Each *groov* I/O module cover provides a large module LED to indicate module health at a glance. Serial modules also include a transmit and receive LED on each port.

All *groov* power supplies, voltage converters, pass-through power adapters, and processors, are UL/cUL listed and compliant with the ATEX, Low Voltage, and EMC CE directives. Each module is factory tested twice before shipment and most modules are guaranteed for life.



Part Numbers

Part	Description
GRV-CCANI-2	Serial communication, 2 channels, CAN2.0B, channel-to-channel isolation
GRV-CSERI-4	Serial communication, 4 channels, RS-232 or RS-485, channel-to-channel isolation



Serial module control

Because *groov* serial modules are directly connected to the processor via the bus on the chassis, each serial port works like a port that's built into the processor. Essentially you can add up to 16 serial ports to your GRV-EPIC-PR1. (Each *groov* serial module contains four ports, and as noted, serial modules can be placed only in the first four positions on the chassis.)

This direct connection means that an EPIC processor can control serial modules on its own chassis, but it cannot control serial modules on a separate EPIC chassis. Other devices, such as a SNAP PAC controller, also cannot control serial modules on an EPIC chassis.

SPECIFICATIONS & FEATURES

Specifications are on the next few pages.

Features: GRV-CSERI-4

Feature	Channel 0	Channel 1	Channel 2	Channel 3
RS-232 Tx / Rx	x	x	x	x
RS-232 RTS / CTS	x	x	x	x
RS-232 DCD, DTR, DSR, RI	x			
RS-485 half-duplex mode (TxRx+/-)	x	x	x	x
RS-485 full-duplex Mode (Tx+/-, Rx+/-)	x	x	x	x
RS-485 termination (120 Ohms)	x	x	x	x
RS-485 Bias (750 Ohms to +V and COM)	x	x	x	x



Specifications: GRV-CCANI-2

Specifications	GRV-CCANI-2
Serial Standards	CAN 2.0
Bit Rates	10 Kbps, 20 Kbps, 50 Kbps, 100 Kbps, 125 Kbps, 250 Kbps, 500 Kbps, 750 Kbps, 1 Mbps
Maximum Bus Length (1 Mbps)	40 m
Maximum Bus Length (50 Kbps)	1000 m
Bus Termination	120 Ohms, selectable
Isolation (field-to-logic)	300 V working, 1500 V transient (1 minute)
Isolation (channel-to-channel)	300 V working
Number of Channels	2 individually configurable channels
Indicators	Transmit and Receive LEDs for each channel
Chassis Power Consumption	1.5 W
Chassis Compatibility	Slots 0–3 only. The maximum number of modules per chassis is 4.
Minimum GRV-EPIC-PR1 Firmware Version	1.5.0
Minimum PAC Project Version	Upcoming release
Minimum Library Package for CODESYS Version	1.0.2.0
Wire Size	28–14 AWG
Torque, connector screw	2.5 in-lb (0.28 N-m)
Torque, hold-down screw	3.5 in-lb (0.4 N-m)
Temperature (operating)	-20 °C to +70 °C
Temperature (storage)	-40 °C to +85 °C
Relative Humidity (non-condensing)	5–95%
Agency Approvals	UL/cUL(Class 1 Div. 2); CE, ATEX(Category 3, Zone 2), RoHS; DFARS; CB Scheme
Warranty	30 months



Specifications: GRV-CSERI-4

Specification	GRV-CSERI-4
Serial Standards	RS-232 (DTE), RS-485 half- and full-duplex
Baud Rates	300 bps - 1 Mbps
Maximum Cable Length (RS-232)	10 m
Maximum Cable Length (RS-485)	1200 m at 38.4 Kbps, 500 m at 115.2 Kbps, 50 m at 1 Mbps
Bus Loading (RS-485)	1/8 Unit Load
Bus Termination	5 KOhms (RS-232 mode), 120 Ohms (RS-485 mode, selectable)
Bus Bias	750 Ohms, (RS-485 mode only, selectable)
Isolation (field-to-logic)	300 V working, 1500 V transient (1 minute)
Isolation (channel-to-channel)	300 V working
Number of Channels	4 individually configurable channels
Indicators	Transmit and Receive LEDs for each channels
Chassis Power Consumption	1.5 W
Chassis Compatibility	Slots 0–3 only. The maximum number of modules per chassis is 4.
Minimum GRV-EPIC-PR1 Firmware Version	1.2.0
Minimum PAC Project Version	10.1000
Minimum Library Package for CODESYS Version	1.0.0.1
Wire Size	28–14 AWG
Torque, connector screw	2.5 in-lb (0.28 N-m)
Torque, hold-down screw	3.5 in-lb (0.4 N-m)
Temperature (operating)	-20 °C to +70 °C
Temperature (storage)	-40 °C to +85 °C
Relative Humidity (non-condensing)	5–95%
Agency Approvals	UL/cUL (Class 1 Div. 2); CE, ATEX (Category 3, Zone 2), RoHS; DFARS; CB Scheme
Warranty	30 months



MOUNTING

Mount *groov* I/O modules onto a *groov* EPIC chassis. See [groov EPIC Chassis Data Sheet](#) (form 2247). You may also want to review the diagrams in the Description of Module Parts section so you learn the names of the various parts of the module.

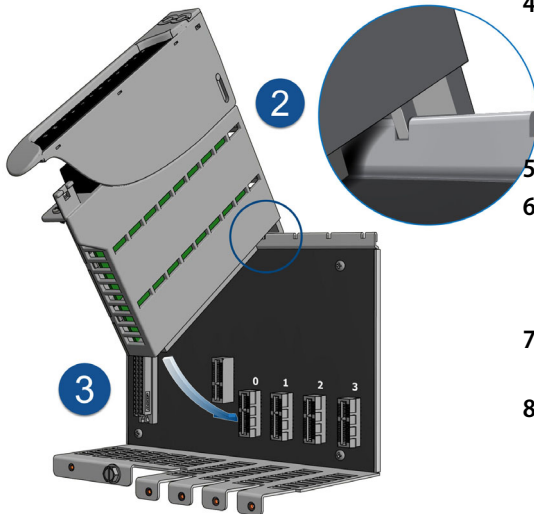
Installing the module

The numbers on the diagrams correspond to the numbered steps in these instructions.



CAUTION: For electrical safety, turn off power to the chassis and de-energize field devices wired to the terminal connector before starting.

1. Orient the *groov* EPIC chassis so that the module connector numbers are right-side up, with module connector zero on the left, as shown in the diagram.
2. Hold the module at a 45° angle, lining up the alignment tab on the back tip of the module with the slot at the back of the chassis.
3. Pivot the front of the module down to the module connector on the chassis. Push to snap the module into the connector.
4. Swing the module cover up so you can access the module retention screw. Secure the module into position by tightening the module retention screw.



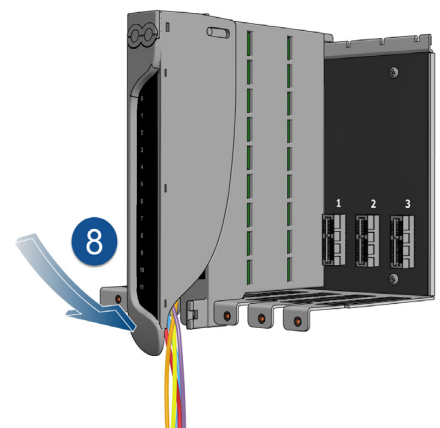
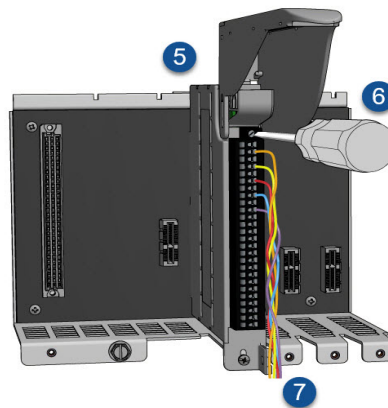
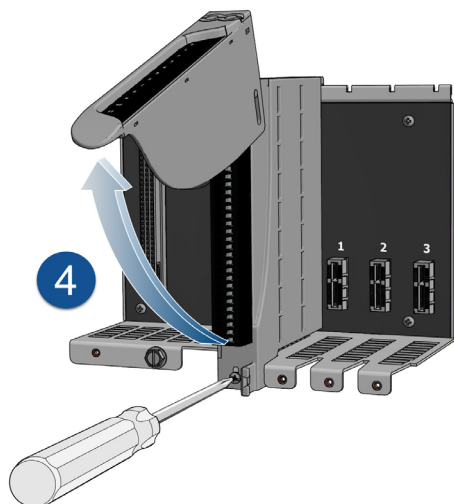
CAUTION: Do not over-tighten. See the torque specs in the Specifications table.

5. If the module does not have a terminal connector, install one.
6. Secure the terminal connector by tightening the terminal connector screw.

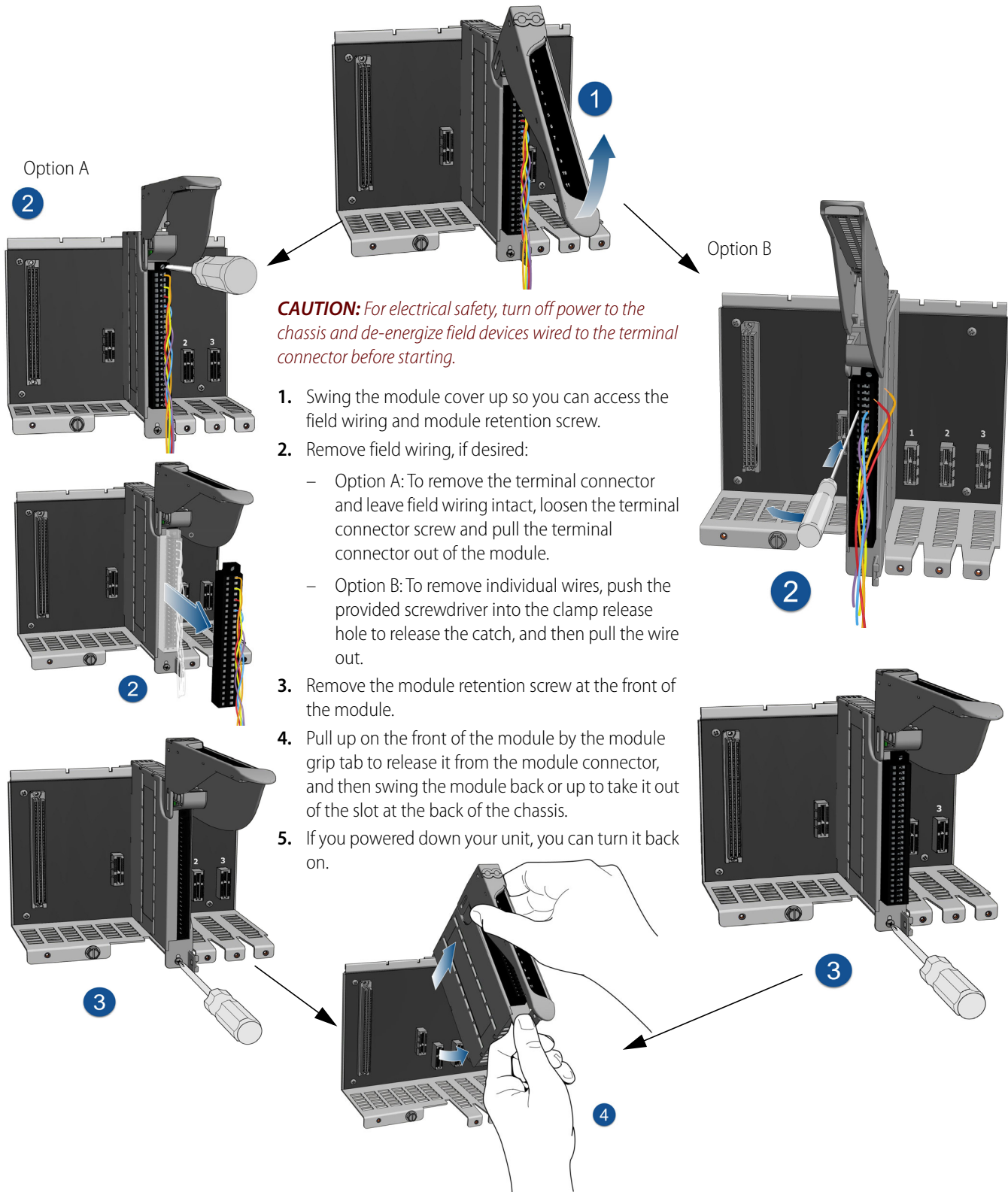
CAUTION: Do not over-tighten. See the torque specs in the Specifications table.

7. Follow the wiring instructions in the Pinout and Wiring section to wire your field devices to the channels on the terminal connector.
8. When wiring is complete, swing the module cover back down to cover the wires. If the wires are too thick to close the module cover easily, lift the module cover, then raise the back of the module cover up to the higher position. Swing the module cover back down to cover the wires.

When you are done installing modules and wiring, if you powered down your unit, you can turn it back on.



Removing the module



PINOUT AND WIRING

Before you begin wiring, do the following tasks:

CAUTION: For electrical safety, turn off power to the chassis and de-energize field devices wired to the terminal connector before starting.

Select the appropriate wire. The terminal connectors are rated for 28–14 AWG wire. If you're using stranded wire, you can make an easier and better connection by tinning the strands or adding ferrules.

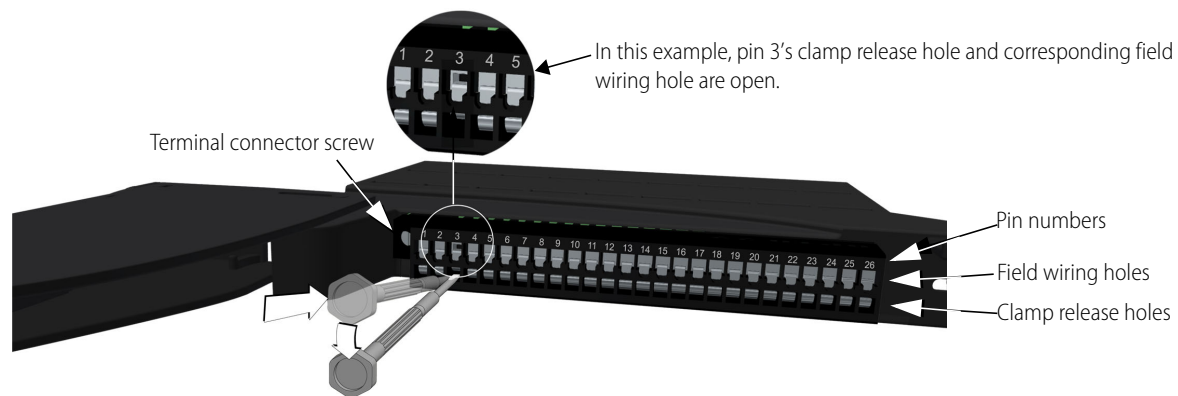
Ensure that you have the screwdriver supplied with your module.

If you are unfamiliar with the names of some of the parts of the module, review the diagrams on this page and in the Description of Module Parts section.

It may be easier to insert wires if you remove the terminal connector from the module. To remove the terminal connector, loosen the terminal connector screw at one end of the connector, then pull the connector straight out to remove it from the module.

If you have never used a spring-clamp wiring system, take a moment to familiarize yourself with the diagram below. The clamp release hole is where you will insert the screwdriver. The field wiring hole is where you will insert your field wires.

If you look into the field wiring hole, you will see a highly reflective surface. If you can see that surface, that means that the clamp is closed.



Follow these instructions to connect your field wires to the module:

CAUTION: For electrical safety, turn off power to the chassis and de-energize field devices wired to the terminal connector before starting.

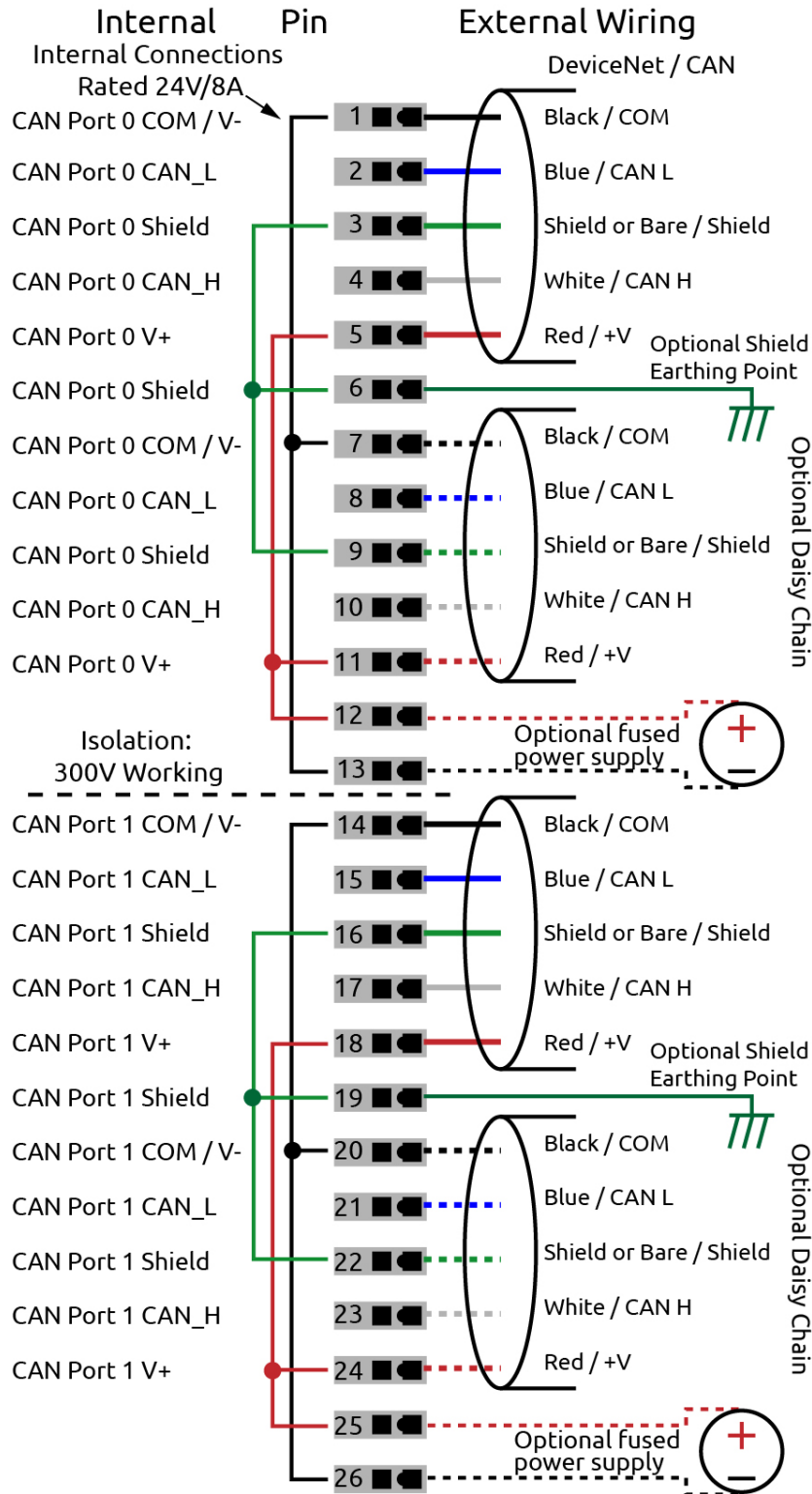
1. Orient the module or terminal connector to match the wiring diagrams on the following page. To make it easier to handle the screwdriver and the field wires, secure the module by doing one of the following:
 - If you are working with the terminal connector while it is attached to the module, make sure the module is screwed securely to the chassis.
 - If you are working only with the terminal connector, secure the terminal connector with a clamp.
2. Hold the screwdriver so that you can place the flat side of the blade against the left side of the clamp release hole.
3. Slide the screwdriver into the clamp release hole, along the left side, until you feel the blade begin to meet some resistance. Gently push the screwdriver in a little more, until you feel the screwdriver stop.

Note: If you push in too hard, the screwdriver might pop out of the clamp release hole and you'll have to return to step 2.

- Look into the field wiring hole. If it is dark, the clamp is open. You can go to the next step.
 - If you can still see the highly reflective surface, gently pull the screwdriver handle to the left until you feel the blade stop. Hold the screwdriver in that position. Look into the field wiring hole. If it is dark, the clamp is open. You can go to the next step.
4. Insert the wire into the field wiring hole until it meets complete resistance. Then pull out the screwdriver.
 5. Test that the wire is secure by gently pulling on it. If the wire pulls out, repeat steps 2 through 4.

To remove a wire, push the screwdriver into the clamp release hole as described in steps 2 and 3 above, and then pull the wire out.

WIRING: GRV-CCANI-2

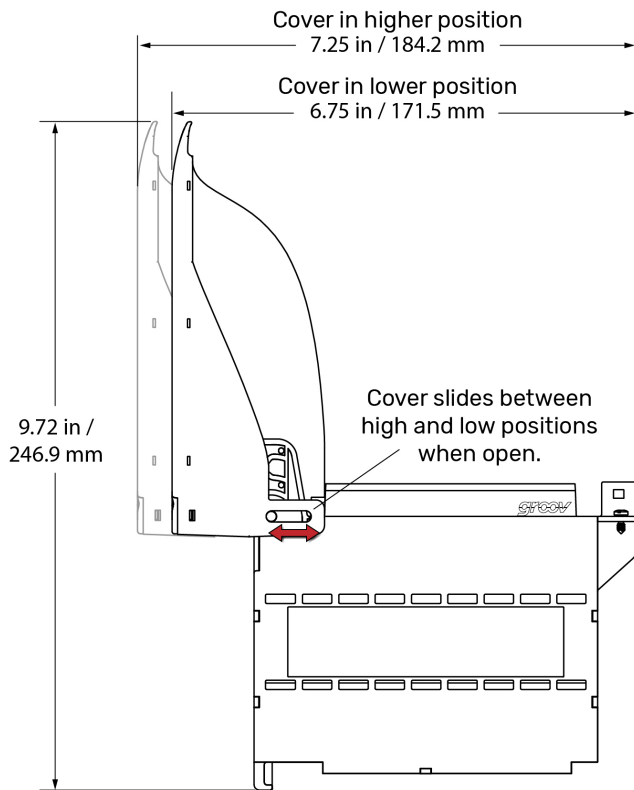


WIRING: GRV-CSERI-4

Internal	Pin	External Wiring		
		RS 485 full duplex	RS 485 half duplex	RS 232
Channel 0	1	Tx+	Tx+/Rx+	TxD
	2	Tx-	Tx-/Rx-	RTS
	3	COM	COM	COM
	4	Rx+	Unused	RxD
	5	Rx-	Unused	CTS
	6	Unused	Unused	DTR
	7	Unused	Unused	DSR
	8	Unused	Unused	DCD
	9	Unused	Unused	RI
	10	COM	COM	COM
	11	Unused	Unused	Unused
Channel 1	12	Tx+	Tx+/Rx+	TxD
	13	Tx-	Tx-/Rx-	RTS
	14	COM	COM	COM
	15	Rx+	Unused	RxD
	16	Rx-	Unused	CTS
Channel 2	17	Tx+	Tx+/Rx+	TxD
	18	Tx-	Tx-/Rx-	RTS
	19	COM	COM	COM
	20	Rx+	Unused	RxD
	21	Rx-	Unused	CTS
Channel 3	22	Tx+	Tx+/Rx+	TxD
	23	Tx-	Tx-/Rx-	RTS
	24	COM	COM	COM
	25	Rx+	Unused	RxD
	26	Rx-	Unused	CTS



DIMENSIONS: GRV-CCANI-2, GRV-CSERI-4



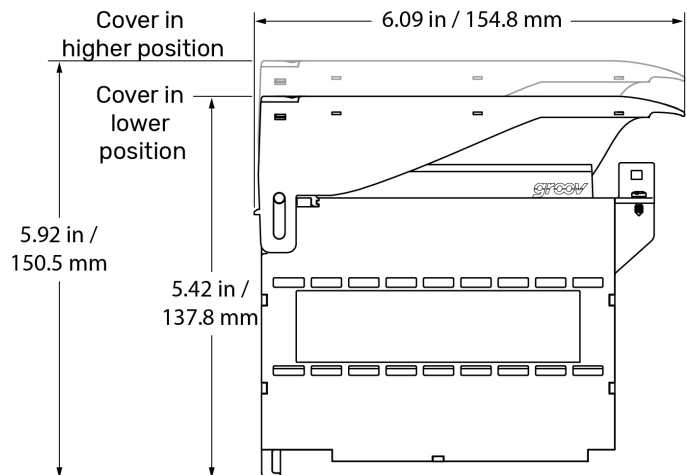
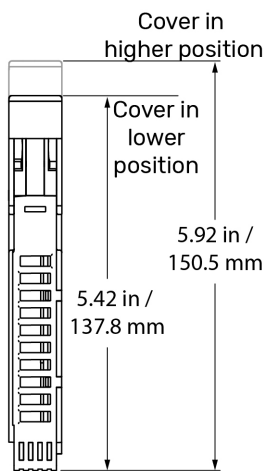
The module cover pivots and can be adjusted to two different heights (positions). The higher position provides more space to accommodate thicker wires.

To switch between higher and lower position, open the cover to at least a 45° angle. Grasp the hinged end of the module cover and do one of the following:

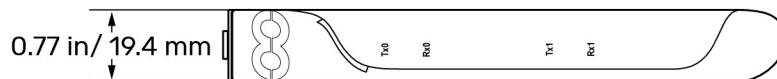
- Pull up on the back hinge to slide it to the higher position.

- Push down on the back hinge to slide it to the lower position.

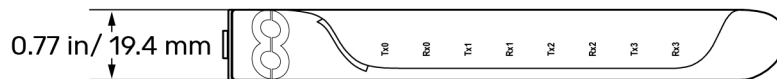
You cannot switch between the higher and lower positions while the cover is closed.



GRV-CCANI-2

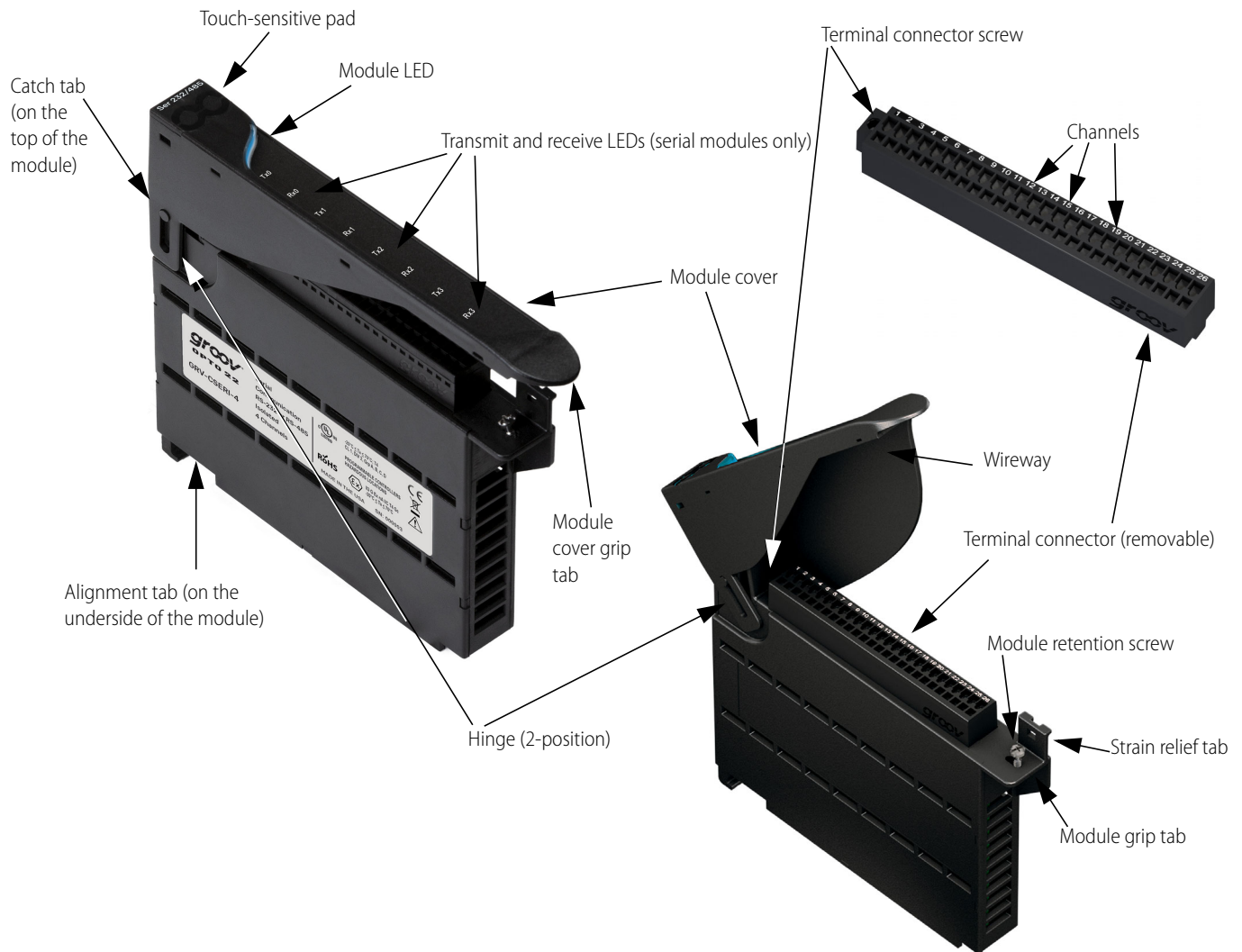


GRV-CSERI-4



DESCRIPTION OF MODULE PARTS

The following diagram identifies the parts of the modules. The installation instructions in the documentation rely on these terms to describe how to handle the module.



Some parts offer unique features:

Module LED: Provides a visual indication of the health of the module. For example, if it is blue, the module is operating normally. If it is blinking blue, the module's information is being displayed on the *groov* EPIC processor's screen. For a complete list of the various colors that this LED might display, see the *groov EPIC User's Guide* (form 2267).

Terminal connector: Specially designed for *groov* I/O modules, it provides a spring-clamp wiring system to securely connect the wires from your field devices to the module. To learn how to use a spring-clamp wiring system, see the Pinouts and Wiring section.

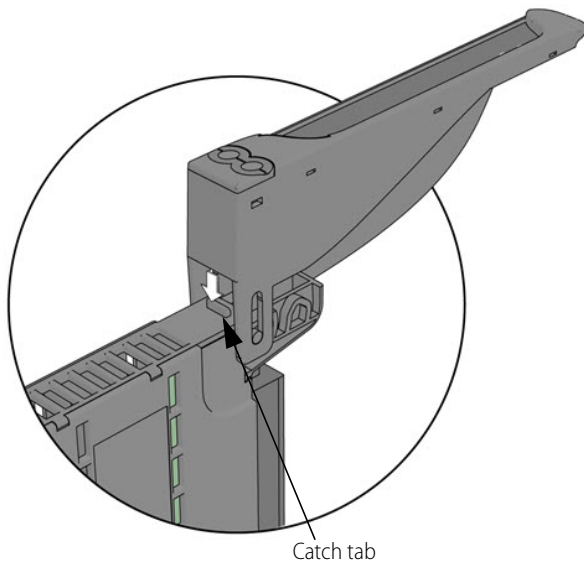
Hinge and Wireway: These two features work together to provide more space for wires. The hinge can be adjusted between a lower position and a higher position. The wireway is the space underneath the module cover. To increase this space, you can raise the hinge to the higher position.

Transmit and receive LEDs: Available only on serial modules, when a Rx channel is receiving, the LED lights up. When a Tx channel is transmitting, the LED lights up.



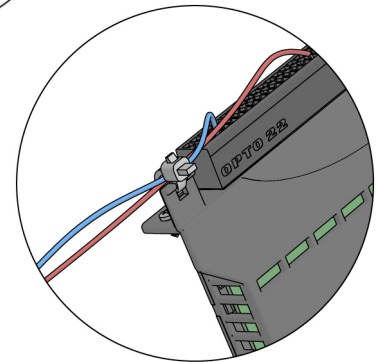
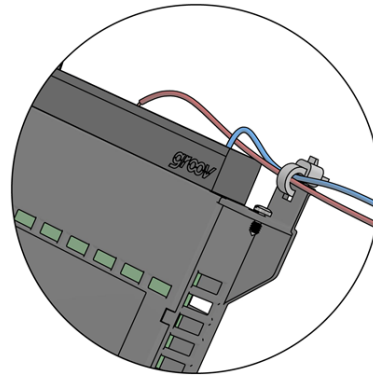
Touch-sensitive pad: Offers a convenient way to display the module's information on the *groov* EPIC processor. Press on the pad for approximately two seconds and the processor displays that module's information on the screen, as well as changing the module LED to a blinking blue light.

Catch tab: Located at the top of the module, the catch tab provides a place for the cover to "catch" or stop. This prevents the cover from closing so that you can work on attaching or detaching wires to the terminal connector.



Strain relief tab: This tab offers a way to collect wires into a bundle and secure them to the module. Attaching the wires to the strain relief tab can help hold the wires in a semi-fixed position, preventing them from interfering while you work on a nearby module, as well as preventing strain on the part of the wire attached to the terminal connector.

Collect the wires into a bundle, pull a zip tie through the hole in the tab, wrap the zip tie around the bundle and tab, then clip the excess zip tie.



PRODUCTS

Opto 22 develops and manufactures reliable, easy-to-use, open standards-based hardware and software products.

Industrial automation, process control, building automation, industrial refrigeration, remote monitoring, data acquisition, and industrial internet of things (IIoT) applications worldwide all rely on Opto 22.

groov EPIC® System

Opto 22's *groov* Edge Programmable Industrial Controller (EPIC) system is the culmination of over 40 years of experience in designing products for the automation industry.

groov EPIC gives you an industrially hardened system with guaranteed-for-life I/O, a flexible Linux®-based processor with gateway functions, and software that meets the needs of your automation and IIoT applications.

groov EPIC I/O

I/O provides the local connection to sensors and equipment. *groov* I/O offers up to 24 channels on each I/O module, with a spring-clamp terminal strip, integrated wireway, swing-away cover, and LEDs indicating module health and digital channel status.

groov I/O is hot swappable, UL Hazardous Locations approved, and ATEX compliant. Opto 22 I/O is so reliable, we guarantee it for life.

groov EPIC Processor

The heart of the system is the *groov* EPIC processor. It handles a wide range of digital, analog, and serial functions for data collection, remote monitoring, process control, and discrete and hybrid manufacturing.

In addition, the EPIC provides secure data communications among physical assets, control systems, software applications, online services, and more, both on premises and in the cloud.

Configuring and troubleshooting I/O and networking is easier with the EPIC's integrated high-resolution color touchscreen. Authorized users can manage the system locally on the touchscreen or on a monitor connected via the HDMI or USB ports.

groov EPIC Software

Software included in the *groov* EPIC controller:

- PAC Control engine to run PAC Control strategies and PAC Display projects
- CODESYS Runtime engine to run IEC61131-3 compliant programs built with CODESYS Development System

Optional access to the Linux operating system through a secure shell (SSH) to download and run custom applications

groov View for building your own device-independent HMI, viewable on the touchscreen, PCs, and mobile devices.

Node-RED for creating simple logic flows from pre-built nodes
Ignition Edge® from Inductive Automation®, with OPC-UA drivers to Allen-Bradley®, Siemens®, and other control systems, and MQTT/Sparkplug communications for efficient IIoT data transfer

Older products

From solid state relays (our first products) to world-famous G4 and SNAP I/O, to SNAP PAC controllers, older Opto 22 products are still supported and still doing the job at thousands of installations worldwide. You can count on us to give you the reliability and service you expect, now and in the future.



QUALITY

Founded in 1974, Opto 22 has established a worldwide reputation for high-quality products. All are made in the U.S.A. at our manufacturing facility in Temecula, California.

Because we test each product twice before it leaves our factory rather than testing a sample of each batch, we can afford to guarantee most solid-state relays and optically isolated I/O modules for life.

